

# EXAMINATION CHAIR

## OP-G7+

OPTIMAL DESIGN FOR GYNECOLOGY AND OBSTETRICS



- Electrical movement with 4 independent motors
- High load capacity: 310Kg
- Exceptional minimum height: 48cm
- Motorized leg rest

## **OP-G7+** A CHAIR DESIGNED TO BE EFFECTIVE

The OP-G7+ examination chair is designed to meet all the needs of the OB/GYN specialist.

This versatility is due to its wide movement capacity through its four independent motors and modular system of accessories, allowing the healthcare professional to combine them according to the specific needs of the practice.

Manufactured with the highest quality materials, paying full attention to ergonomic needs and using a comfortable and hygienic padding system. This is how OPTOMIC ensures to provide the best experience for doctor and patient.



# BARRIER-FREE ACCESS FOR PATIENT AND HEALTHCARE PROFESSIONAL

OPTOMIC has put all its effort into the OP-G7+ chair with the aim to create an equipment which is effective for the specialist and comfortable for the user.

## ■ MINIMUM HEIGHT: 48 cm

Designed to make patient access as easy as possible. Taking special care of the elderly, patients with reduced mobility and those with disabilities.



## ■ LEG REST MOVEMENT FOR PATIENT CARE

The motorized leg rest allows the patient to reach the correct examination position without the intervention of the healthcare professional.



## ■ LOAD LIFTING CAPACITY UP TO 310 Kg

The healthcare professional can use the chair with heavy patients, with the certainty that it will meet the most demanding needs.

## ■ RETRACTABLE MOTORIZED LEG REST

The leg rest folds under the chair, giving the healthcare professional a high degree of manoeuvrability to carry out their work





## INDEPENDENT AND MOTORIZED MOVEMENTS

Find the desired position in a comfortable way and save it in one of the four internal memories for the next examination.

The independence of movements of the OP-G7+ chair elements allows it to adapt to the requirements of the different specialties.

### ■ PELVIC MOVEMENT

It facilitates the examination by allowing to place the chair in a comfortable and natural position for the healthcare professional and the patient.



### ■ LIFTING/LOWERING MOVEMENT

Exceptional minimum height to facilitate patient access, especially those with reduced mobility.



# EXAMINATION CHAIR OP-G7+

## INDEPENDENT BACK AND LEG REST MOVEMENT

Total control of all movements by means of a hand control or foot pedal.

The combination of back, leg rest and seating positions allows the OP-G7+ to adapt to all postural needs required in gynecology and obstetrics.



## TRENDELENBURG AND ANTI-TRENDELENBURG POSITION

A direct access button on the hand control places the OP-G7+ in Trendelenburg position when it is required.



## TOTAL CONTROL THROUGH HAND CONTROL OR FOOT PEDAL

All movements can be controlled through these two devices.

- Hand control: All type of movements, direct access to Trendelenburg, lock button and 4 programmable memories.

- Foot pedal: All type of movements and 3 programmable memories.



Up/Down movement

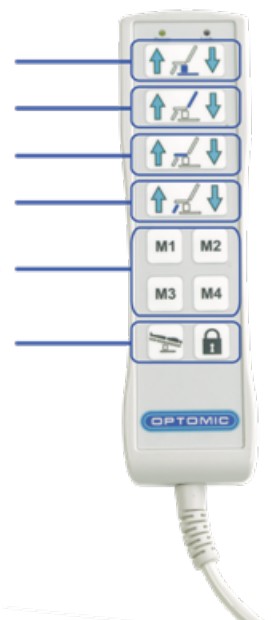
Backrest movement

Pelvic movement

Legrest movement

4 programmable memories

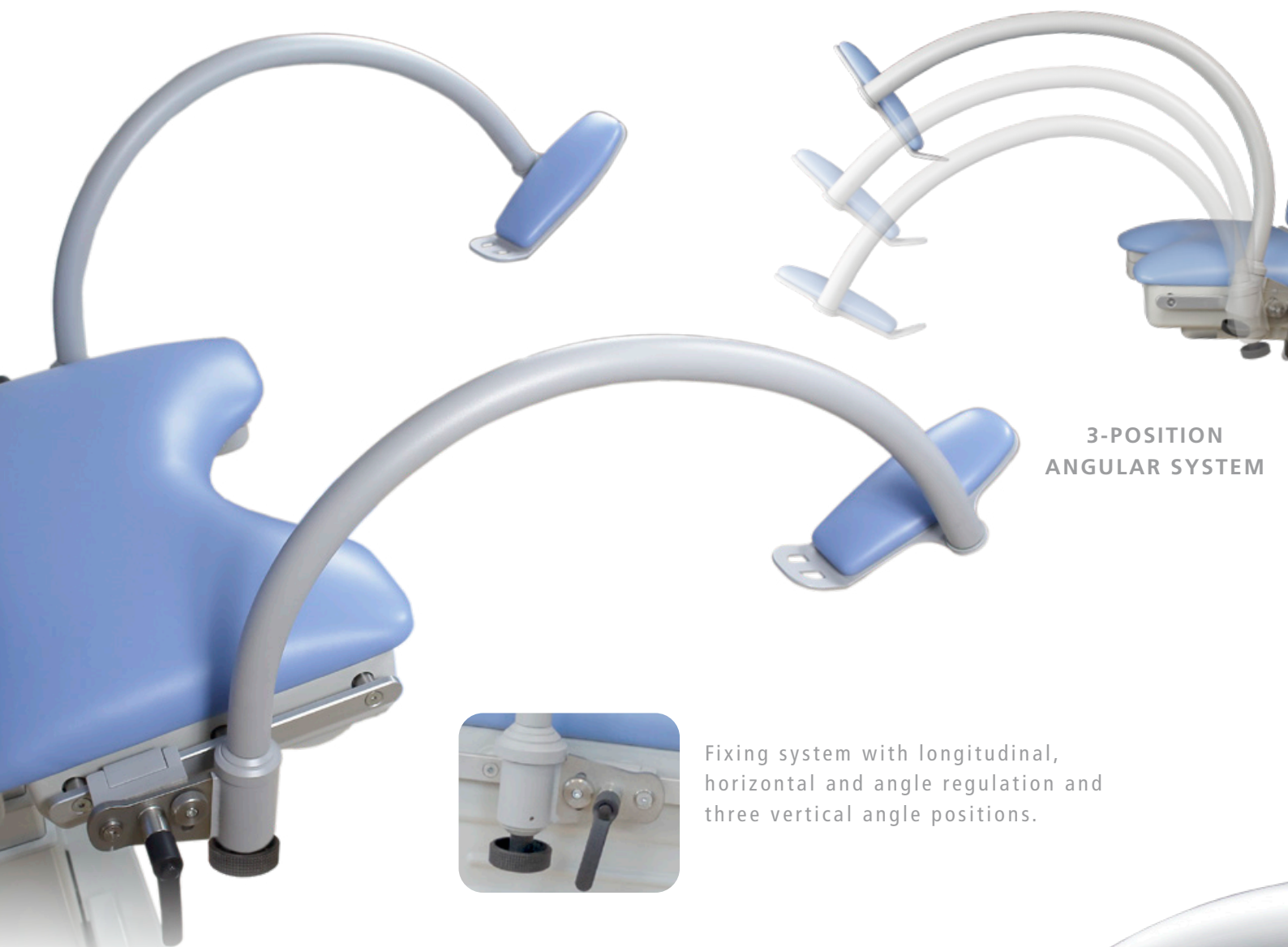
Trendelenburg position and movement lock



# EXAMINATION CHAIR **OP-G7+**

## ACCESSORIES FOR EACH AND EVERY NEED

Thanks to a side rail system, the OP-G7+ can be easily configured with any of our accessories, according to the requirements of the specialist. Footrest, leg supports and armrests are adaptable to the most comfortable position for healthcare professional and patient.



**3-POSITION  
ANGULAR SYSTEM**

Fixing system with longitudinal, horizontal and angle regulation and three vertical angle positions.

### **LEG SUPPORTS WITH FOOT SUPPORTS**

3-position system that allows to modify the angle of the support to favour ergonomics. It also allows for lateral opening, with a gradual brake system.

Magnetically fixed cushioned support for barefoot patients. The support is easily removed for patients wearing shoes.







producing quality



#### ■ GOEPEL LEG SUPPORTS

Made of stainless steel and padded with injected flexible polyurethane, very durable and easily washable.

OP-G7+ leg supports can be adjusted to any position in order to reach the best examination position.

Fixing with longitudinal and height adjustment system.



#### ■ ARMRESTS (Optional)

Padded and adjustable.

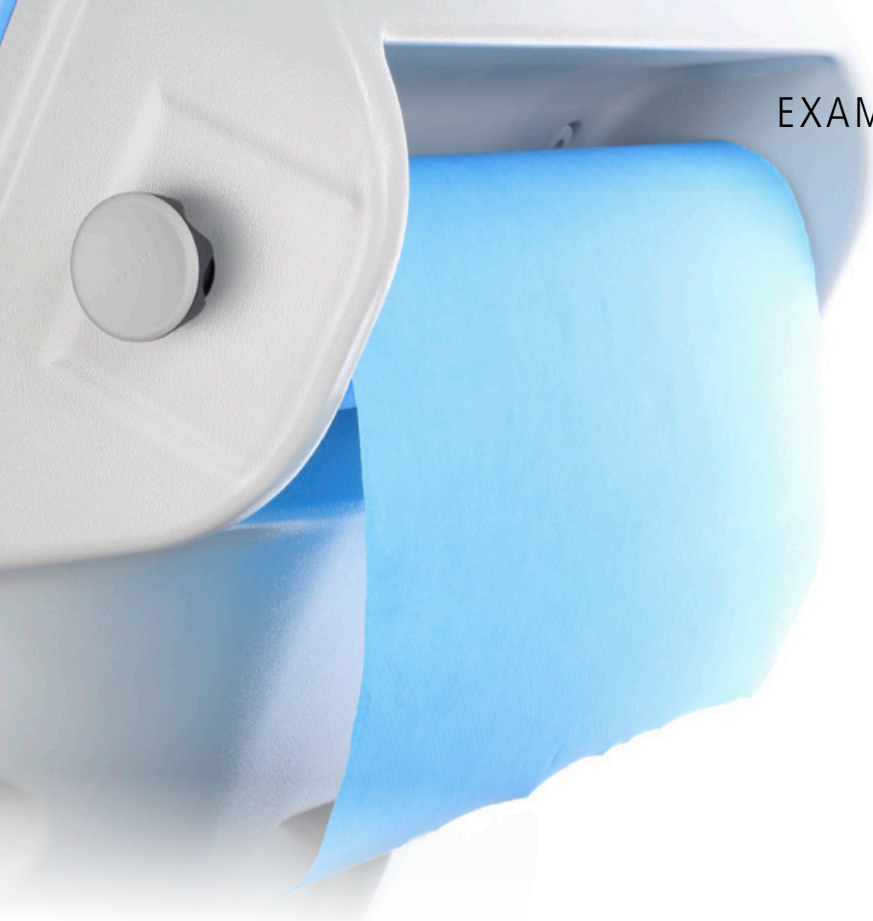
They can be combined with both types of leg supports, providing greater comfort to the patient during the examination.



#### ■ EXAMINATION LAMP (Optional)

High power LED light with dimmer switch and flexible arm for easy placement in any position.

# EXAMINATION CHAIR OP-G7+



## **PAPER ROLL HOLDER**

The chair includes a roll holder to place the paper on seat and backrest.

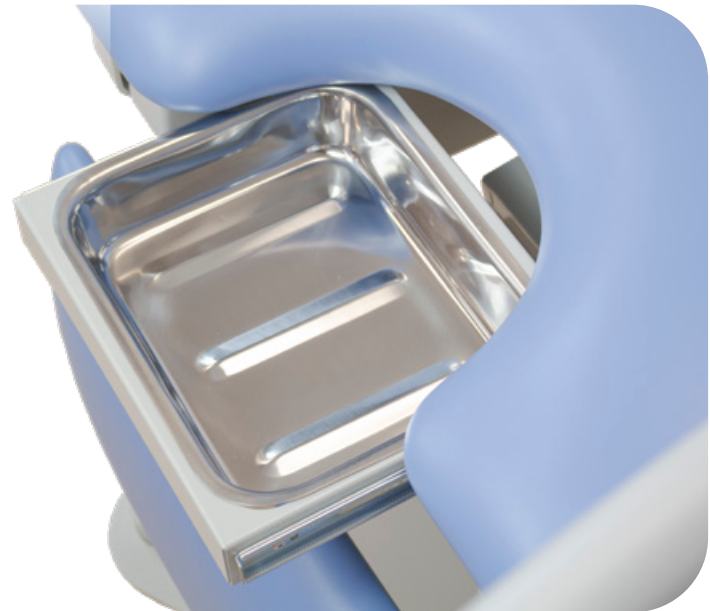
Being integrated into the chair saves space and facilitates access and replacement.

It holds paper reels up to 50cm wide, Ø 13cm and 4.5cm mandrel.

## **SECRETION TRAY**

Made of stainless steel and easy to remove and clean.

2.5l capacity.



## **HIDDEN WHEEL SYSTEM (Optional)**

Small wheels unfold with a simple lever movement, allowing the healthcare professional to move the chair to the desired position.





## ■ COLPOSCOPE SUPPORT (Optional)

The OP-G7+ chair adapts to the use of a wide range of colposcopes by means of a resistant support specifically designed to that effect.

## ■ COLOR RANGE

Upholstery available in different colours. Choose the most suitable for your office.

The upholstery material is synthetic, waterproof, washable and with antibacterial treatment.



EXAMINATION CHAIR **OP-G7+**



**Gynecological Chair OP-G7+**  
**Resistance, comfort and**  
**reliability for your medical office.**



## FEATURES

### LIFTING/LOWERING MOVEMENT

BACKREST

LEG REST

PELVIC

### TRENDELENBURG

### ANTI-TRENDELENBURG

### HAND CONTROL AND FOOT PEDAL

### LEG SUPPORTS

### SECRETIONS TRAY

### ROLL HOLDER

### UPHOLSTERY

### FIRE REGULATIONS GRID

### CONNECTION

### MAXIMUM LOAD

Motorized column. 480mm min. / 1020mm max.

Through electric motor. -30° min. / 70° max.

Through electric motor. 0° min. / 110° max.

Through electric motor. 30° max. above/-8° min. below horizontal

Tilting -30°

Tilting +8°

Control of all movements + 8 Memories

Two options: Leg supports with foot supports or Goepel leg supports

Made of stainless steel and removable. 2,5L Capacity

Paper reel 50cm max.

Washable and antibacterial PUR-PVC Polyester in a wide range of colours

Flame retardant class M2 - BS5852 1-2

110/240V / 50-60Hz

310kg

## OPTIONAL ACCESSORIES

### ARMREST

### COLPOSCOPE SUPPORT

### EXAMINATION LAMP

### WHEEL SYSTEM

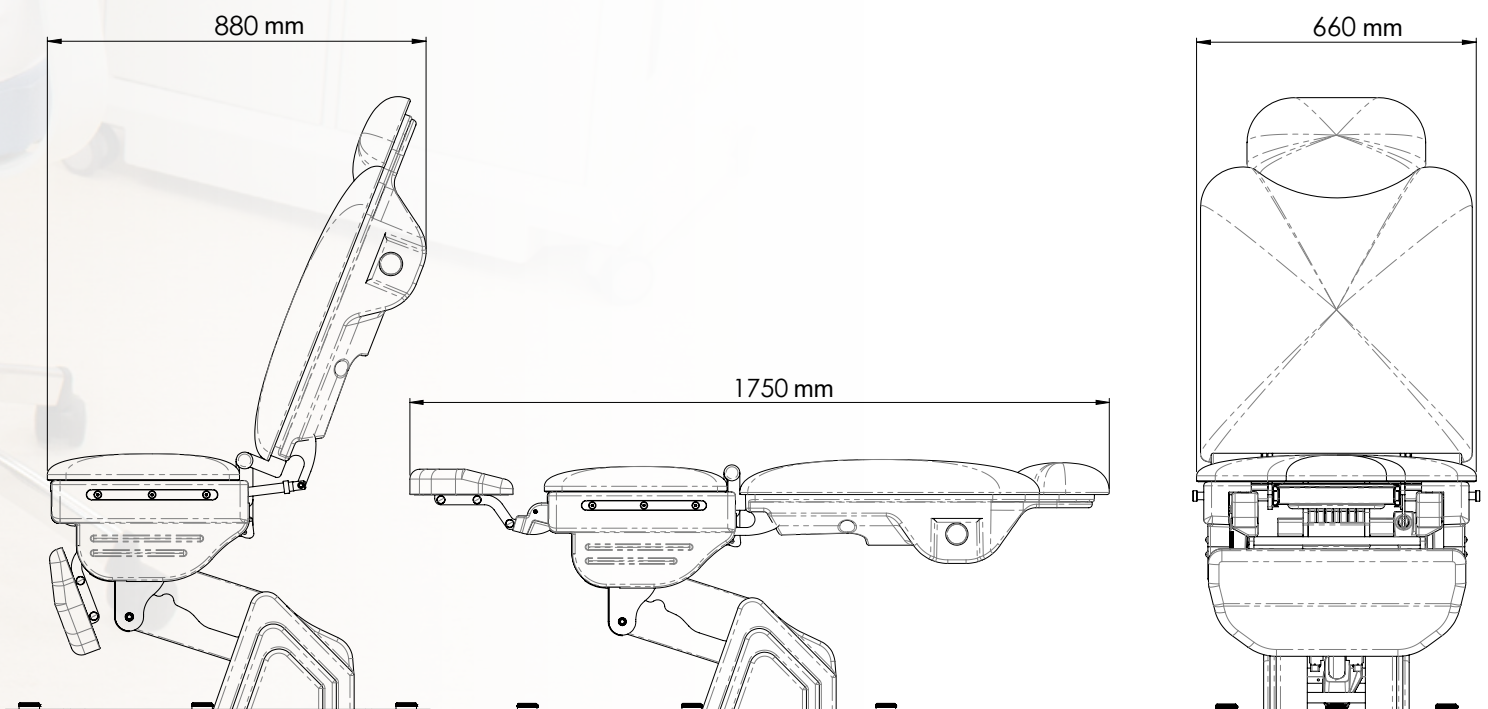
Removable. Adjustable in height and longitudinal position.

Suitable for a wide range of colposcopes.

Colposcope can be placed at the right or left side of the chair.

High power LED with dimmer switch and flexible arm.

Hidden wheel system that can be unfolded by means of a lever.







## OPTOMIC ESPAÑA S.A.

Madroño, 4. E-28770 Colmenar Viejo, Madrid, Spain  
Tel: +34 91 804 44 44 • Fax: +34 91 803 84 14  
export@optomic.com • www.optomic.com

