



SDM Examination Microscope from Karl Kaps

Adding Value
to your ENT Practice



Kaps SDM

Optics, Illumination, Comfort – It All Fits the Bill to a Tee



The Kaps SDM has 2 different mounting systems to choose from:

- SDM 60 on a mobile stand
- SDM 20 for wall mounting

The Kaps SDM examination microscope is designed for ENT specialists who are unwilling to compromise on optical quality and are looking for a high-quality, easy-maintenance microscope for carrying out examinations.

Kaps SDM is the perfect entry model and boasts a sensational price-performance ratio.

We have focused on the main features impacting medical examinations, and have combined tried-and-true Kaps optics with bright LED illumination and high operating comfort.

Kaps optics provides crystal-clear images and high-resolution details in natural colors (apochromatic optics).

The LEDone illumination system offers a number of extremely positive product characteristics that score over conventional halogen light sources:

- Fatigue-free detailed working in daylight quality
- Absolutely silent and vibration-free
- Long life (30,000 hours)
- Low energy requirement



AT A GLANCE

- 3-fold magnification changer for excellent depth of focus and an outstanding spatial impression
- Wide-angle eyepiece lenses for eyeglass wearers included as standard
- Optional 45° coupling available for even easier and more accurate positioning and mobility

Technical data

Kaps SDM

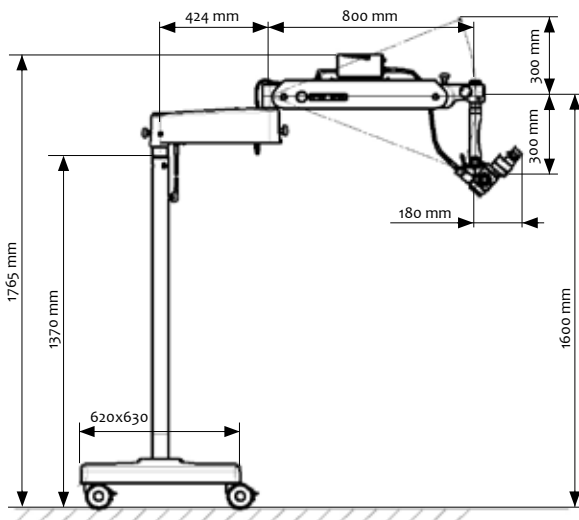
Illumination	LEDone illumination unit
Lenses	Changeable lenses from 200 mm to 400 mm in steps of 50 mm Lenses $f = 200$ mm and $f = 250$ mm with integrated focusing (14 mm)
Binocular tubes	Straight tube $f = 125$ mm or $f = 159$ mm
Eyepieces	Eyepieces WF 12.5 x V or WF 10 x V (with diopter adjustment)
Magnification	3-step magnification changer, 5-step magnification changer at additional cost
Fine Focusing	Manual fine focusing 40 mm (optional)
Video camera	Adapter for C-mount video cameras by beam splitter and TV tube
Integrated endoscope adapter	For directly adapting existing endoscope cameras

Enlargement Factors

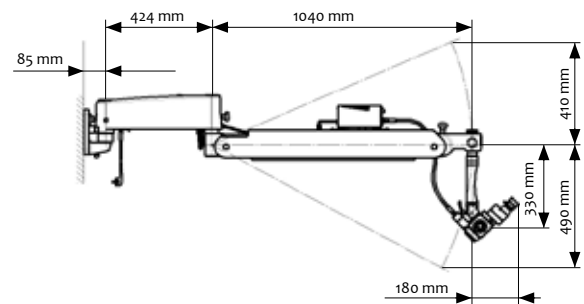
3-step and 5-step magnification unit with tube $f = 125$ mm

Enlargement factor	0.4	0.63	1.0	1.6	2.5	lens $f = 200$ mm Eye piece magnification 12.5 x V
Magnification	3.2	5	8	12.8	20	
Field of view \varnothing in mm	52	34	22	14	8.5	

Mobile stand



Wall mounting





Karl Kaps is a global medical technology company, offering complete diagnosis and treatment solutions in the medical disciplines of otorhinolaryngology, ophthalmology, microsurgery, endodontics, neurosurgery, spinal surgery, gynecology and in all similar areas.

Modern, innovative surgical and diagnostic microscopes are developed and manufactured at the Asslar and Wetzlar production sites.

We aim to provide our customers with the best possible equipment for the medical care of their patients. This is our contribution to ensuring that correct diagnosis and successful therapy can be initiated.

More information can be found at www.kaps-optik.de

© 2016 Karl Kaps GmbH & Co. KG

All rights reserved
Technical changes may be made
without prior notice

Printed in Germany, August 2016

Kaps SDM Examination Microscope ENT / en / 2016-08

OUR FOCUS IS ON YOUR VISION